



14911 South Main Street
 Gardena, CA 90248
 Phone: (310) 715-1903

www.racointeriors.com
patrickoconnor@racointeriors.com

Customer Name: _____

 Project Name: _____

 Ship to Address: _____

Purchase Order: _____
 Contact Name: _____
 Phone#: _____
 Jobsite Contact: _____
 Phone#: _____
 Fax#: _____
 E-Mail: _____

Solutions II System

Shop Drawing#: _____
 Page: _____ of _____
 Dated: _____
 Approved: _____
 Revised: _____
 Rev. # ___ - _____

Finish:

 Black Ano. Bronze Ano.
 Clear Ano. White Painted
 Other: _____

Wall Size:
 Wall Wall
 3-3/4" Wall Wall
 4-7/8" Wall Wall
 5-1/4" Wall 5-1/2" Wall
 6-1/8" Wall 7-1/4" Wall
 Other: _____

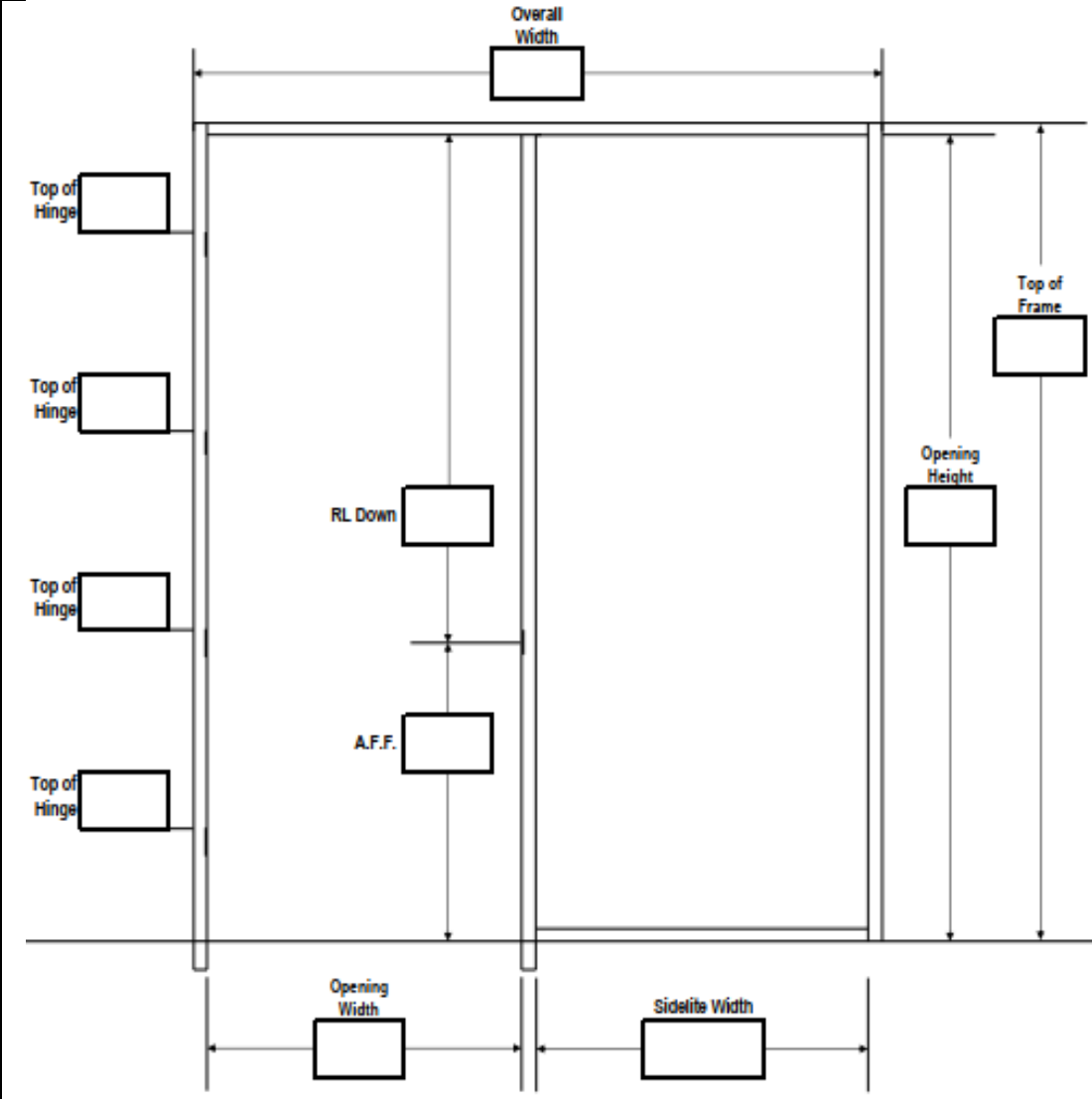
Trim:
 1-1/2" x 3/8" 2" x 3/8"
 1" x 3/8" 4" x 3/8"
 Other: _____

Corner Condition:
 Square-Cut Mitered-Cut

Sound Seal:
 Wool-pile Vinyl Bulb
 Black Grey White

Positive Pressure Rating:
 20 Minute (Fixed Throat Only)
 Maximum 2'-0" X 9'-0" (Sidelite)

Glazing Vinyl:
 Black Grey White
 1/4" 3/8" 1/2" 9/16"
 Other: _____



Left Hand Quantity (RHR):
 Tag#: _____

Right Hand Quantity (LHR):
 Tag#: _____

2" Scribe: Yes No
STANDARD PREPARATION:
 4-1/2" STANDARD WEIGHT HINGE
 ONLY AND 4-7/8" ASA STRIKE CUT OUT.
 ALL OTHER SPECIAL PREPS SHOULD
 BE NOTED IN MANUFACTURING NOTES.

SPECIAL PREP/INFORMATION

